

# INSTALLATION MANUAL



## LUMA-VRS-1

Remote Controlled Component Video Switcher

### SPECIFICATIONS:

Power: 12 vdc 500ma power supply included  
Connectors: RCA audio and video / RS-232 computer interface  
1/8" mono jack for infrared emitter  
1/8" stereo jack for optional "A" and "B" indicator  
Dimensions: 9.5"W x 2.5"H x 4.875"D

The Luma Series of remote controlled video switchers are designed to offer convenient A/B video switching. Multiple switchers can be used, allowing for up to six monitor locations controlled by a ProScan/RCA remote.

### INSTALLATION

With power off, make connections to your Luma Series switcher following the wiring diagram on the back of this sheet. Once all the connections have been made, plug in the power supply to start up the unit.

### OPERATION

The rotary switch in the front of the switcher sets the ID number for the particular Luma Video Switcher. The front rocker switch changes between Toggle and Discreet IR codes.

**TOGGLE MODE:** In Toggle mode, 6 individual Luma's may be controlled via the 6 source selector button functions on ProScan/RCA remotes. The source buttons are: Video 1, Video 2, CD, Tape, TV, Tuner. If there is a conflict with any other RCA equipment in the system, then the rotary switch can be moved to relieve the conflict. In the Toggle mode, each press of a button will cause the Luma to change from "A" to "B" in a circular fashion. Available rotary switch positions are: 1, 2, 3, 4, 5, and 6.

**DISCRETE MODE:** In Discrete Mode, only 3 individual Luma's may be controlled as the "A" and "B" input sources are selected via an individual remote control code. Available rotary switch positions are: 1, 2, and 3.

#### ProScan® remote control codes

##### Toggle Mode

Rotary Switch Position	1	2	3	4	5	6
Remote Button	Vid 1	Vid 2	CD	Tape	TV	Tuner

##### Discrete Mode

Rotary Switch Position	1	2	3	Video Input
Remote Button	Vid 1	CD	TV	A
Remote Button	Vid 2	Tape	Tuner	B

## RS232

On models equipped with RS232, control is possible using the following communication parameters: COM Port 8,N,I 2400 baud, no flow control, 8 bits, No Parity, 1 Stop Bit.

Send text under ASCII text column all CAPS. Video Switch will respond appropriately if correct rotary switch position and rocker switch position is selected on

ASCII text to send	Rot SW Pos 1	Rot SW Pos 2	Rot SW Pos 3
AUDIOPLEXRSWA11	A		
AUDIOPLEXRSWA10	B		
AUDIOPLEXRSWA21		A	
AUDIOPLEXRSWA20		B	
AUDIOPLEXRSWA31			A
AUDIOPLEXRSWA30			B

## Messages from Video Switchers:

When ever SW receives an RS232 command, it will respond with a message. If the SW changes position it will respond as in the two following examples:

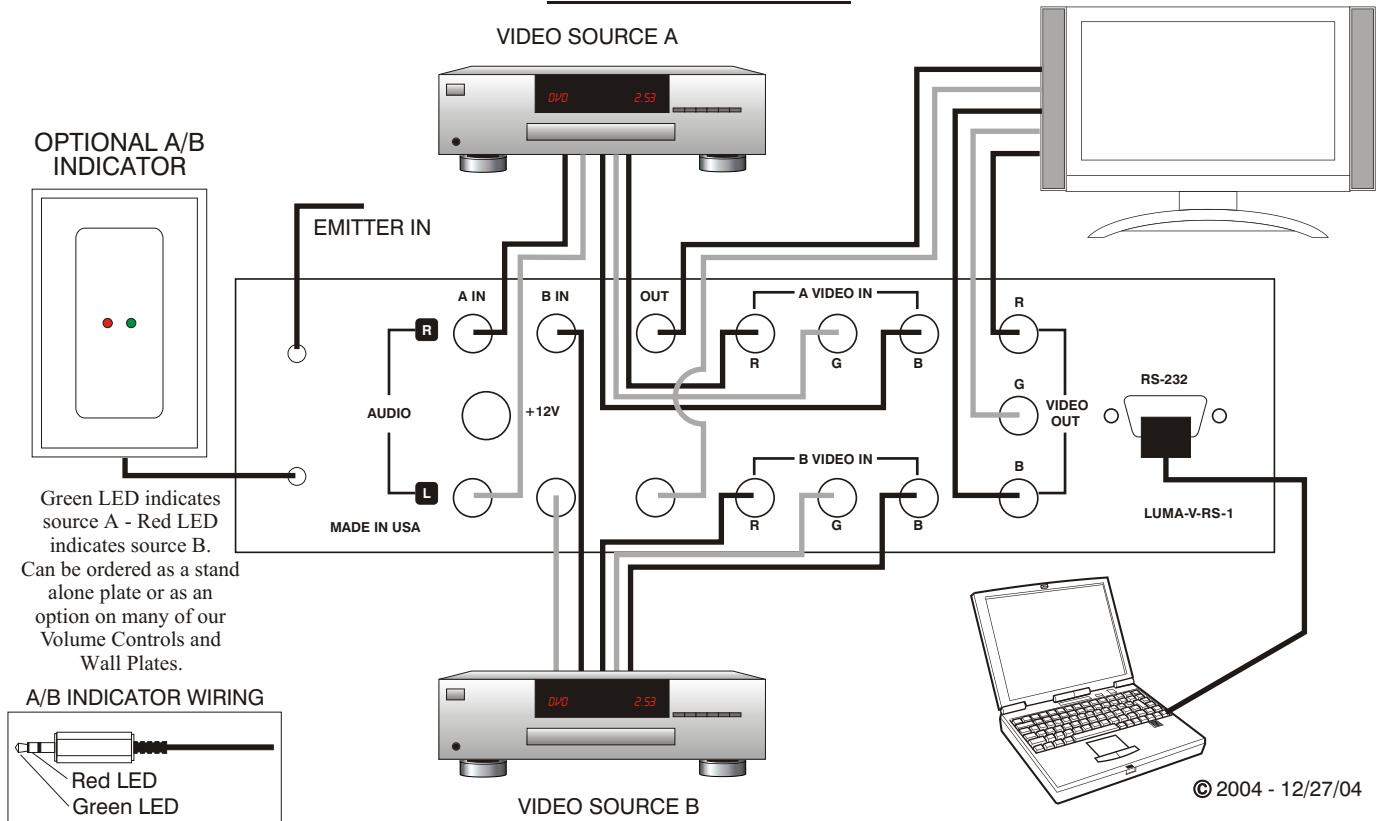
Audioplex Switch 2 Pos A  
Audioplex Switch 3 Pos B

If a redundant command is sent, i.e. "change to position (A) when the switch is already in that position, or the rotary switch on the front of the unit is set to a different SW ID number, then the Luma will send an error message, i.e.

Wrong SW command, From SW#, Pos?

In all cases, when the Luma responds it will tell you what SW ID is currently set to be, and whether it is in the "A" or "B" position.

## WIRING DIAGRAM



## WARRANTY

Your AUDIOPLEX TECHNOLOGY® Luma Series Video Switcher is covered by a Lifetime warranty against defects in workmanship and materials. Any defects will be remedied without charge for labor or parts.

Damage incurred by shipping or accident is not considered to be a defect, and not covered by this warranty. AUDIOPLEX TECHNOLOGY® is not responsible for defective operation caused by abuse or by modification or service by an unauthorized person or agency.

The unit must be properly installed and operated according to instructions for the warranty to apply. Any necessary servicing must be done by AUDIOPLEX TECHNOLOGY®. The products must be returned expences prepaid, with written authorization from the company. The unit must be shipped with the proof of purchase and in the original carton and packing material to avoid damage.

This warranty gives you specific legal rights. You may have other rights which vary from state to state.

**AUDIOPLEX TECHNOLOGY®**

404 GWH P.O. BOX 440

MELVIN VILLAGE, N.H. 03850

1-800-257-2077

FAX: 1-603-544-8901

# INSTALLATION MANUAL



## LUMA-VR-1

Remote Controlled Component Video Switcher

### SPECIFICATIONS:

Power: 12 vdc 500ma power supply included  
Connectors: RCA audio and video / RS-232 computer interface  
1/8" mono jack for infrared emitter  
1/8" stereo jack for optional LED "A" and "B" indicator  
Dimensions: 9.5"W x 2.50"H x 4.875"D

The Luma Series of remote controlled video switchers are designed to offer convenient A/B video switching. Multiple switchers can be used, allowing for up to six monitor locations controlled by a ProScan/RCA remote.

### INSTALLATION

With power off, make connections to your Luma Series switcher following the wiring diagram on the back of this sheet. Once all the connections have been made, plug in the power supply to start up the unit.

### OPERATION

The rotary switch in the front of the switcher sets the ID number for the particular Luma Video Switcher. The front rocker switch changes between Toggle and Discreet IR codes.

**TOGGLE MODE:** In Toggle mode, 6 individual Luma's may be controlled via the 6 source selector button functions on ProScan/RCA remotes. The source buttons are: Video 1, Video 2, CD, Tape, TV, Tuner. If there is a conflict with any other RCA equipment in the system, then the rotary switch can be moved to relieve the conflict. In the Toggle mode, each press of a button will cause the Luma to change from "A" to "B" in a circular fashion. Available rotary switch positions are: 1, 2, 3, 4, 5, and 6.

**DISCRETE MODE:** In Discrete Mode, only 3 individual Luma's may be controlled as the "A" and "B" input sources are selected via an individual remote control code. Available rotary switch positions are: 1, 2, and 3.

#### ProScan® remote control codes

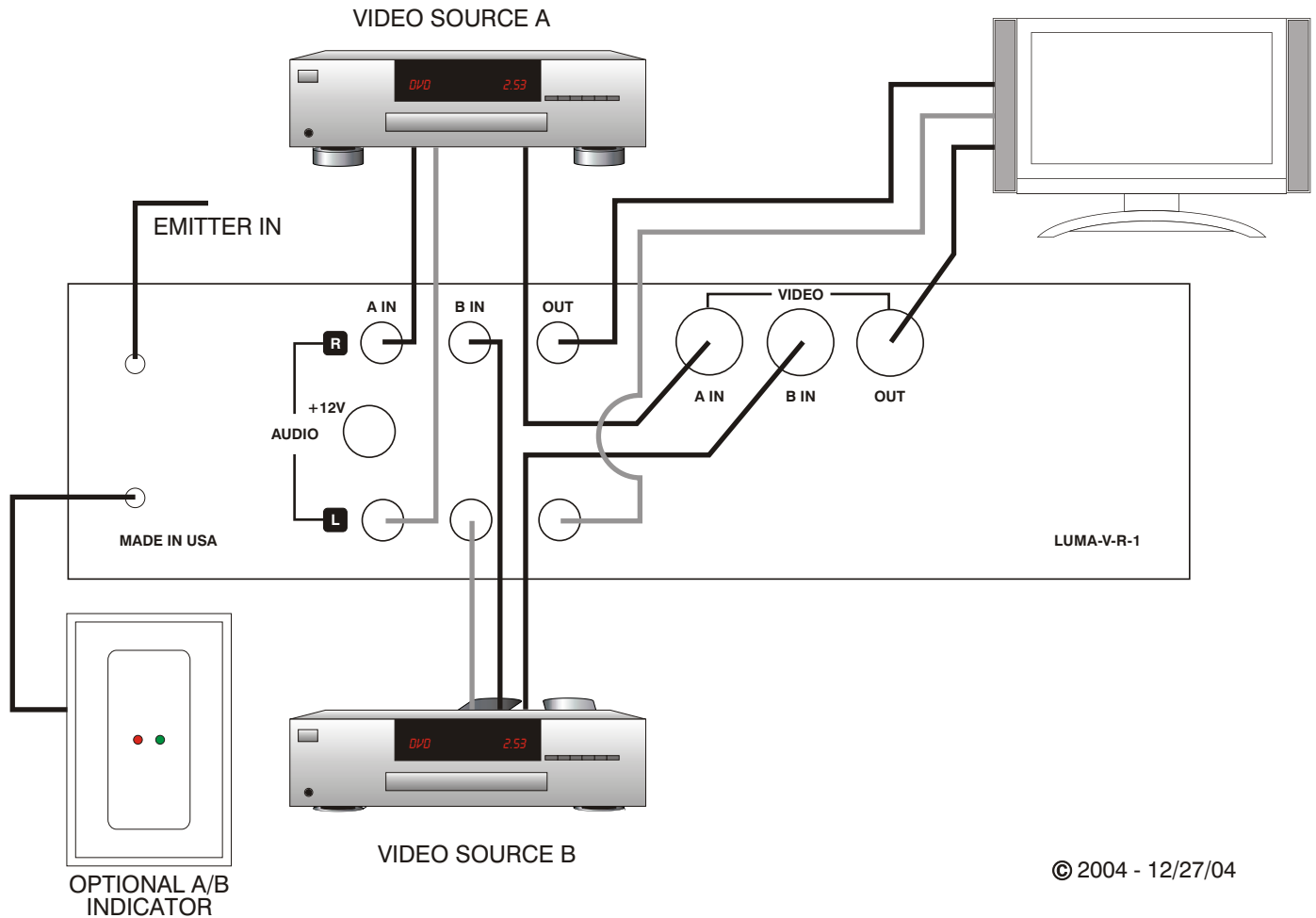
##### Toggle Mode

Rotary Switch Position	1	2	3	4	5	6
Remote Button	Vid 1	Vid 2	CD	Tape	TV	Tuner

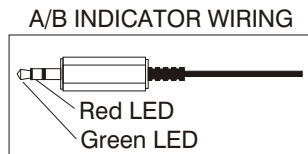
##### Discrete Mode

Rotary Switch Position	1	2	3	Video Input
Remote Button	Vid 1	CD	TV	A
Remote Button	Vid 2	Tape	Tuner	B

## WIRING DIAGRAM



Green LED indicates source A  
- Red LED indicates source B.  
Can be ordered as a stand  
alone plate or as an option on  
many of our Volume Controls  
and Wall Plates.



## WARRANTY

Your **AUDIOPLEX TECHNOLOGY®** Luma Series Video Switcher is covered by a Lifetime warranty against defects in workmanship and materials. Any defects will be remedied without charge for labor or parts.

Damage incurred by shipping or accident is not considered to be a defect, and not covered by this warranty. **AUDIOPLEX TECHNOLOGY®** is not responsible for defective operation caused by abuse or by modification or service by an unauthorized person or agency.

The unit must be properly installed and operated according to instructions for the warranty to apply. Any necessary servicing must be done by **AUDIOPLEX TECHNOLOGY®**. The products must be returned expenses prepaid, with written authorization from the company. The unit must be shipped with the proof of purchase and in the original carton and packing material to avoid damage.

This warranty gives you specific legal rights. You may have other rights which vary from state to state.

**AUDIOPLEX TECHNOLOGY®**

404 GWH P.O. BOX 440

MELVIN VILLAGE, N.H. 03850

1-800-257-2077

FAX: 1-603-544-8901